



LPS 1175: Issue 8
Cert ref 1660e Security rating: C5 (SR3)

Gunnebo PGL3 / PML3 Pedestrian Gate

C5 Rated (SR3) Pedestrian Gate

PGL3 | Manual

PML3 | Motorised

C5-rated Pedestrian Gate certified to LPS1175: Issue 8 C5(SR3). With an IP65 Stainless Steel Solenoid locking system, this gate ensures robust protection against unauthorised access attempts, even in challenging environments. Its fully galvanized and stainless steel construction guarantees durability and resilience to the elements. Offering the choice between Motorised and Manual versions, both C5/SR3 rated, this gate combines adaptability with top-tier security, making it an ideal solution for those seeking certified reliability and advanced access control.



Pedestrian Gate PGL3 | Manual
Conforms to LPS 1175: Issue 8
C5 | SR3



Pedestrian Gate PGL3 | Motorised
Conforms to LPS 1175: Issue 8
C5 | SR3

Technical specifications

Safety features

Hydraulic closer fitted to prevent slamming

Motorised option equipped with active safety edges and photo beam safety system

Anti finger trap hinge post for user safety

Manual override release in the event of power failure

For security and safety reasons children must be supervised by an adult at all times in the vicinity of an active gate. Any child being escorted through the gate must always precede the accompanying adult during passage.

Applications

Petrochemical

Civil Nuclear

Pharmaceuticals

Government Buildings

Energy

Data & Telecommunications

Finance

Defence

Emergency services

Critical infrastructure

Finishes

Frame: Mild steel, hot dip galvanized under a final textured polyester powder top coat.



Electrical Data & Conditions of Use

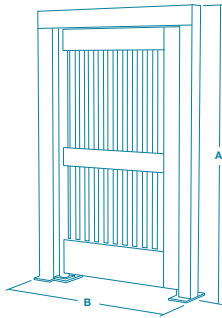
| | Power supply | Power rating ² |
|-----------------------------------|---|---------------------------|
| PGL3 (Manual option) | 230 Vac 50/60Hz 6A | Standby or Passage <50Va |
| PML3 (Motorised option) | 230 Vac 50/60Hz 10A (C/D Rated Breaker required) | ≤600vA in operation |

Operating Temperature: 0 to 55°C

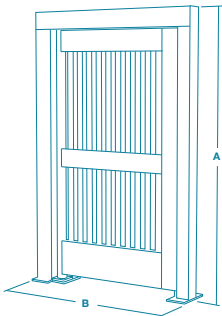
Transportation and Storage: -25 to +55° C

Relative Humidity: 95% Maximum

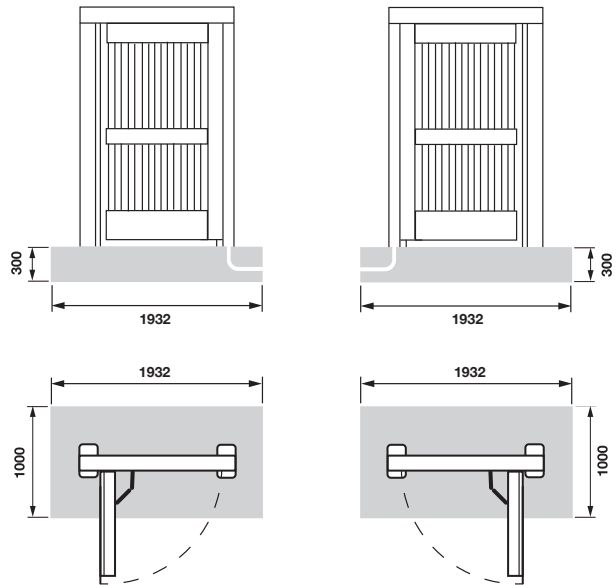
Site preparation



Pedestrian Gate PGL3
Conforms to security rating C5 (SR3)



Pedestrian Gate PML3
Conforms to security rating C5 (SR3)



Dimensions and weights

| | Structural opening | | Clear opening | | Weight |
|-------------|--------------------|-------|---------------|-------|---------|
| | Height | Width | Height | Width | |
| PGL3 | 2210 | 1426 | 2050 | 1000 | 220 kgs |
| PML3 | 2210 | 1426 | 2050 | 1000 | 250 kgs |

Installation & maintenance

| Product Delivery | Application | Site Preparation | Cabling & Conduits | Control Board Location | Systems Integration | Maintenance Access | MTTR | MCBF |
|----------------------|-------------------|-------------------------------------|--------------------|------------------------|----------------------------|---------------------------------|----------------------|------------------|
| Fully assembled only | Internal/external | Flat & level finished floor +/- 5mm | Through the ground | Remote mounted | Standard I/O door contacts | Through frame inspection plates | Less than 30 minutes | 1 million cycles |

1. Bolting depth MIN 150mm depth for floor drilling, concrete MIN fckcube30N/mm² resistance. Base dims 1932 x 1000 x 300.
2. Running MIN 200mm below finished floor level, should rise MIN 50mm from foundation.
3. Mean time To Repair.
4. Mean Cycle Between Failure.
5. Potential free contact for card reader input.

It is the customer's responsibility to ensure the structural integrity and strength of the installation location.
Data provided is for information only, please refer to your usual Gunnebo Customer Service contact in order to prepare the installation site.

Security Certification Compliance

LPS 1175: Issue 8

The Pedestrian gates are certified to loss prevention product standards, a globally recognised and trusted benchmark of resistance and unauthorised access for high security environments.

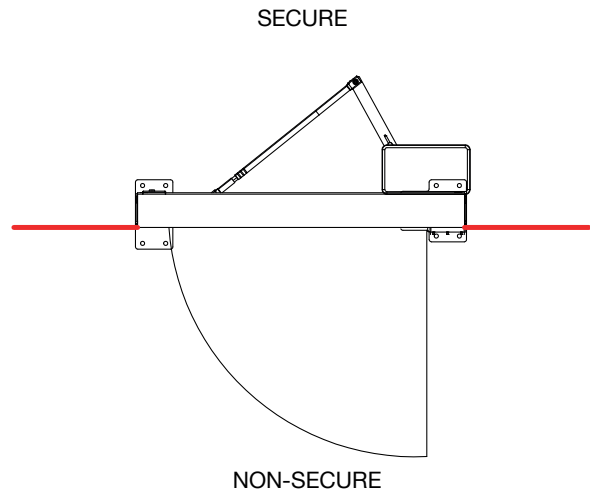
These products have been independently and rigorously tested under strict conditions by BRE Global Governing Body to withstand intruder threat and attack, and have hereby successfully met the resistance and delay requirements appropriate to the level of certification.

This standard identifies that the evaluation and testing practices undertaken by LPCB confirm that

- the product or service meets the standard;
- the manufacturer or service provider has staff, processes and systems in place to ensure that the product or service delivered meets the standard



LPS 1175: Issue 8
Cert ref 1660e Security rating: C5 (SR3)



Fence Line Compliance

In order that the Pedestrian gate remains compliant to the LPS certification of which it has been approved, it is imperative that the fence line remains in the location indicated in the right most illustration, indicated by a thick red line.

Gunnebo PGL3 / PML3 Pedestrian Gate

Design and production: Gunnebo. Photos Credits: Gunnebo. The data given in this material may be subject to change without further notice. The Gunnebo logos and "Gunnebo – For a safer world" are registered trademarks of Gunnebo AB.



Take advantage of our knowledge:
www.gunneboentrancecontrol.com

