

Gunnebo Mounting Base

Integrated Turnstile Mounting Platform

About

Gunnebo's integrated mounting base system enables the optical turnstiles to be installed without drilling holes or otherwise defacing the floor upon which they stand. The mounting base system's specialized and interlocking design provides unmatched strength and durability. The non-skid lane walkway material assures safety and aesthetic appeal.

The system is ADA compliant and wheelchair friendly. Electrical and communication cabling is brought into the side of the mounting base system from adjacent security desks or through nearby adjoining walls. In the event that the source of power is not immediately adjacent to the lanes, an optional channel can be provided as a path between the turnstile lane and the power source.

Suitable for any of Gunnebo's wide range of turnstile products, the mounting base system is another accessory offered to complement the leading entrance control products in the industry.

Mounting Base Advantages

Non-destructive Requires no drilling, trenching, or core drilling to the floor.

Secure Designed to securely hold the turnstiles in place through years of use.

ADA Compliant Meets the strict guidelines of the Americans with Disabilities Act, including rise over distance, lane width, and non-slip surfacing.

Aesthetics Custom finishes available to enhance any environment.

Pre-Channeled All bases include cabling channels beneath the bases to facilitate installation.

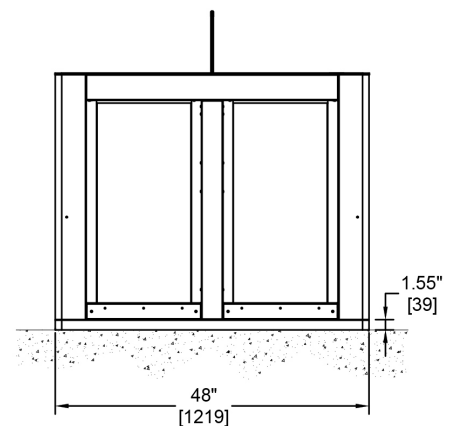
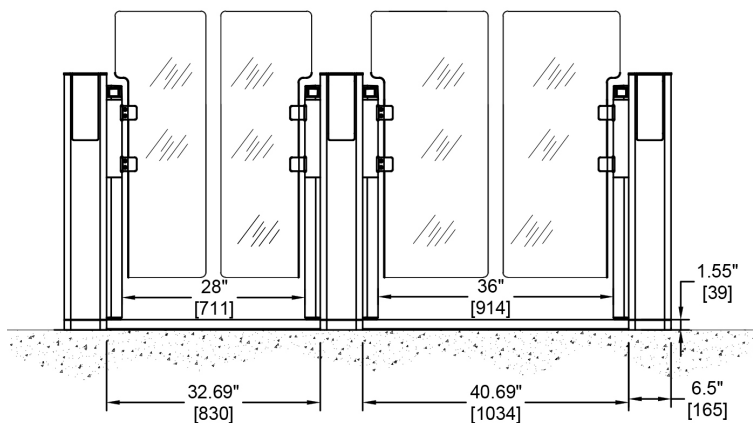
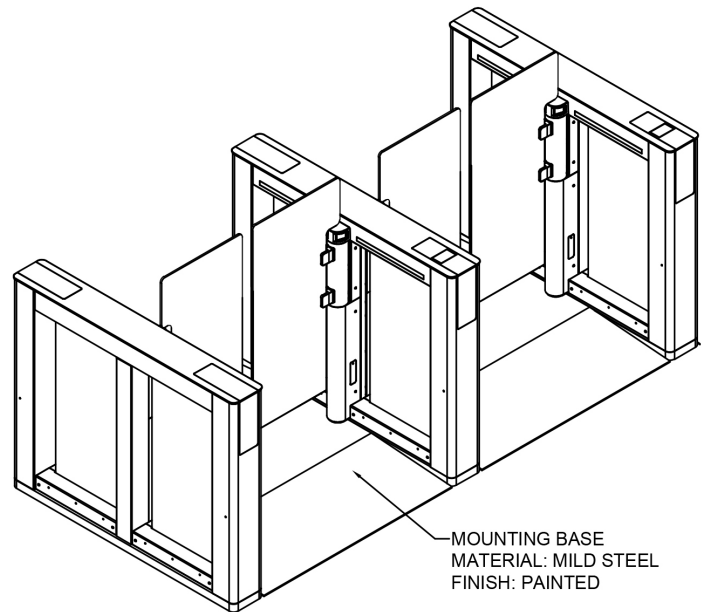
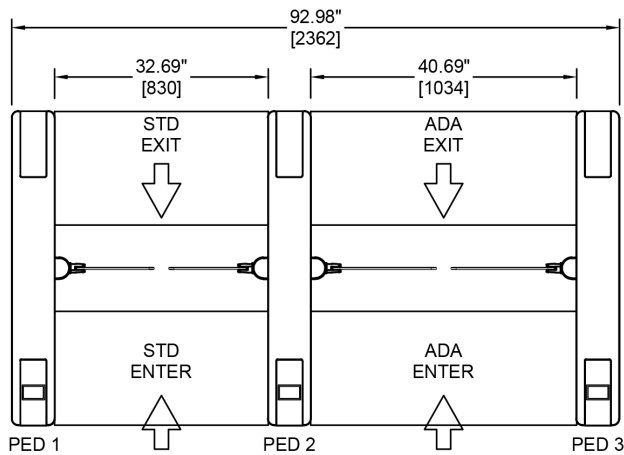
Stationary Barrierwork In addition to the mounting base system, Gunnebo offers matching stationary barrierwork mounting bases to close any gaps from turnstiles to adjacent walls.



Standard Dimensions

Gunnebo Mounting Base

Shown is a typical mounting base system for a two-lane OptiStile 1080. Base dimensions will vary per site requirements. For installation details, please refer to the installation manual.



For further information, please contact:

Gunnebo Entrance Control Inc.

535 Getty Ct., Benicia, CA 94510

www.gunneboentrancesecurity.com

