



Gunnebo GyroSec

Motorised security revolving door for internal/semi external installation

GyroSec is a premium security product in the Gunnebo Turnstiles offering. It is an elegant design able to maintain visible the existing finished floor, offering a choice of security levels preventing tailgating and piggybacking.

As option, is available a basic anti piggy backing APB providing an adequate compromise on performance and price, and also an advanced APB optional system for a greater performance and passage flow.

It offers simultaneous authorised entry and exit and both directions are electronically controllable. On receiving a signal from the access control system or push button, the door wings rotate to allow authorised passages. Should the authorised user not use the first available sector, the GyroSec will allow valid entry through the next sector. GyroSec enforces both rejecting and alarming upon potential unauthorised use and avoids entrapment. GyroSec also prevents unauthorised passage from the

opposite direction whilst a valid passage is being made in the other direction. This is achieved via sensors located in the ceiling that continuously monitor all door sector.

Safety is guaranteed by adjustable torque sensing and safety edges for the forward and reverse directions. Emergency wing break-out facility is available.

GyroSec offers as standard a day-mode functionality selectable in entry or exit or both directions to leave a free passage and turn security to the highest degree when needed.

All parameters and functionalities are programmable via a user friendly tablet interface.

A complete list of accessories and options, includes manual or motorised night shutters, and a wide selection of finishes and dimensions.

Technical Specifications

Drive

Motorised security revolving door. Safety torque sensing.
Logic voltage 24V DC.

Materials

Frame and cornice: Embossed painted steel section powder coated finish RAL color 9006

Frame glazing: 11/12 mm laminated safety glass P4A BR1/S (in accordance with EN356-EN1063)

Rotor wings: Aluminium frame, finish silver RAL 7040. 11/12 mm laminated safety glass P4A BR1/S (in accordance with EN356-EN1063) - safety manifestations on moving glass wings

Ceiling: Laminated HPL finished Pearl Grey

Walkway down lights

3N° in 3 sector and 4N° in 4 sector recessed low voltage Mains LED down lights are positioned within the ceiling over each quadrant.

Power Failure / Fire Alarm

The wings will rotate by the inbuilt battery back up (BBU) to the safe position in order to allow to escape from each sector and stop and become inactive. The door will remain in this position until power is restored. A normally closed (NC) signal is required from others to effect this state.

Technical Data

Power Supply	230Vac 50Hz or 115 Vac 60 HZ
Power Rating	230V AC - 1,4 A/115V AC - 2,8 A
Logic voltage	24V DC
Operating Temperature	From 0° to 50°
IP rating/ MCBF/MTTR	IP33/1,5M cycles / less than 30 min
Flow Rates (approximate figures):	Proximity Reader: "Hands Free", 48 passages per minute (simultaneously in both directions) Pin Pad: 30 passages per minute (simultaneously in both directions) Proximity Reader + Pin Pad: 20 passages per minute (simultaneously in both directions)

Additional Interface

Momentary zero volt (0V) normally open (NO) signal is provided by either a card reader or push button input of duration between 0.5 and 1.0 seconds. The card reader inhibits, resets, and passage confirmation as standard.

Models

1500 mm Internal diameter 3 wings

1600 mm Internal diameter 3 / 4 wings

1800 mm Internal diameter 3 / 4 wings

2000 mm Internal diameter 3 / 4 wings

2180 mm Internal diameter 3 / 4 wings

Options

Alternative finishes and materials

Breakout wings

External night shutters

Net height 2.3 - 2.5 [m]

Floor carpet (grey)

APB* system - BASIC.

APB* system - ADVANCED

Anti-panic push button

Card reader integration

Push button control

Status light pictograms

Metal Detector (MD) only for 1600 4 wings

BR2 BR3 BR4 EN1063

RC2 RC3 RC4 EN1627

Benefits

- Premium high security solution
- Elegant design
- Efficient flow management

Applications

Government

Banking

Research & Science

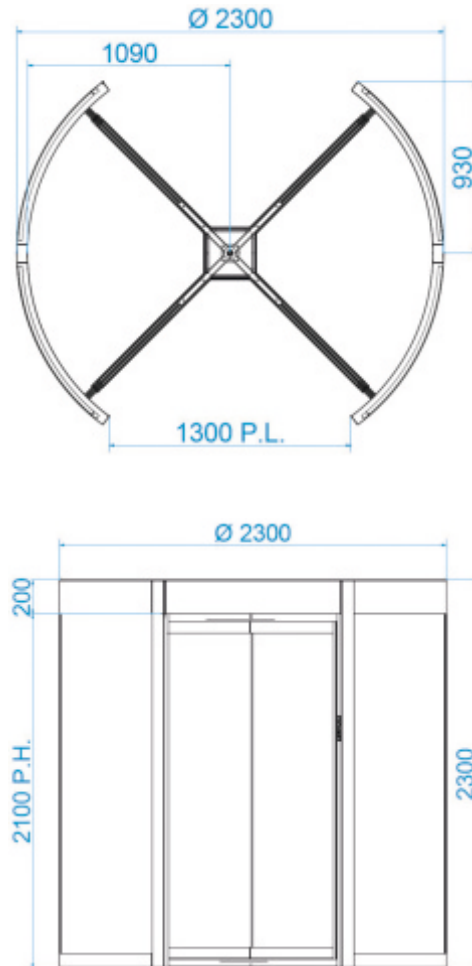
Education

Information Technology

Telecommunications...

SITE PREPARATION: GyroSec 2180 4 wings

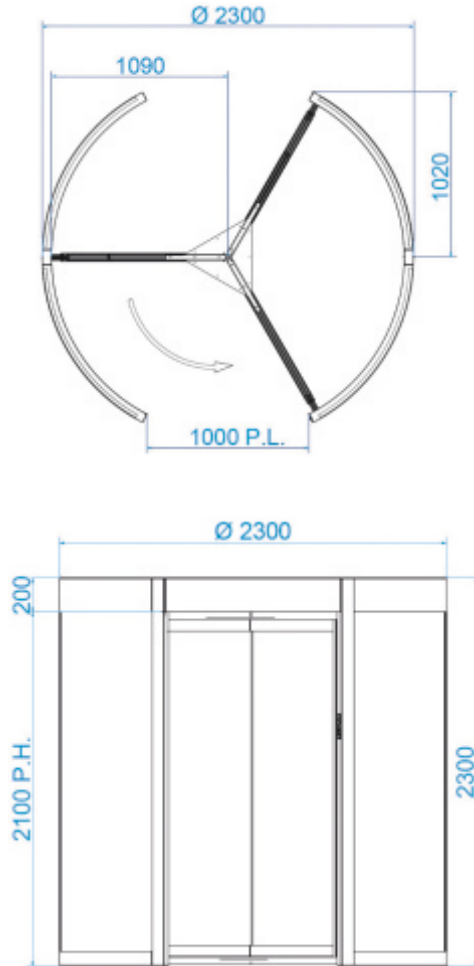
Product is delivered in a kit form and requires lifting equipment. Approx. Weight 1040 kg (for installation details, please refer to installation layout drawings)



Concrete Base to specification at least (cube) 30N/mm² of resistance. Base to be flat and level to +/-5mm over footprint area. Dimensions to be > 2250 x 2250 x 150 deep min. (units in mm).

SITE PREPARATION: GyroSec 2180 3 wings

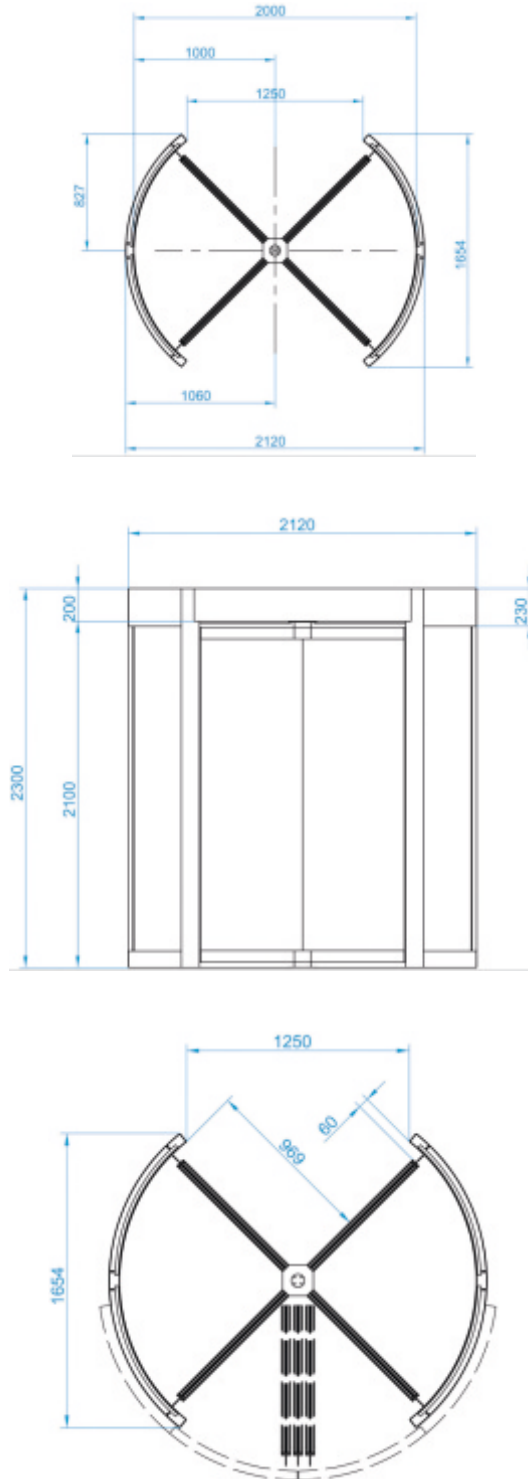
Product is delivered in a kit form and requires lifting equipment. Approx. Weight 1040kg (for installation details, please refer to installation layout drawings)



Concrete Base to specification at least (cube) 30N/mm² of resistance. Base to be flat and level to +/-5mm over footprint area. Dimensions to be >2250 x 2250 x 150 deep min. (units in mm).

SITE PREPARATION: GyroSec 2000 4 wings

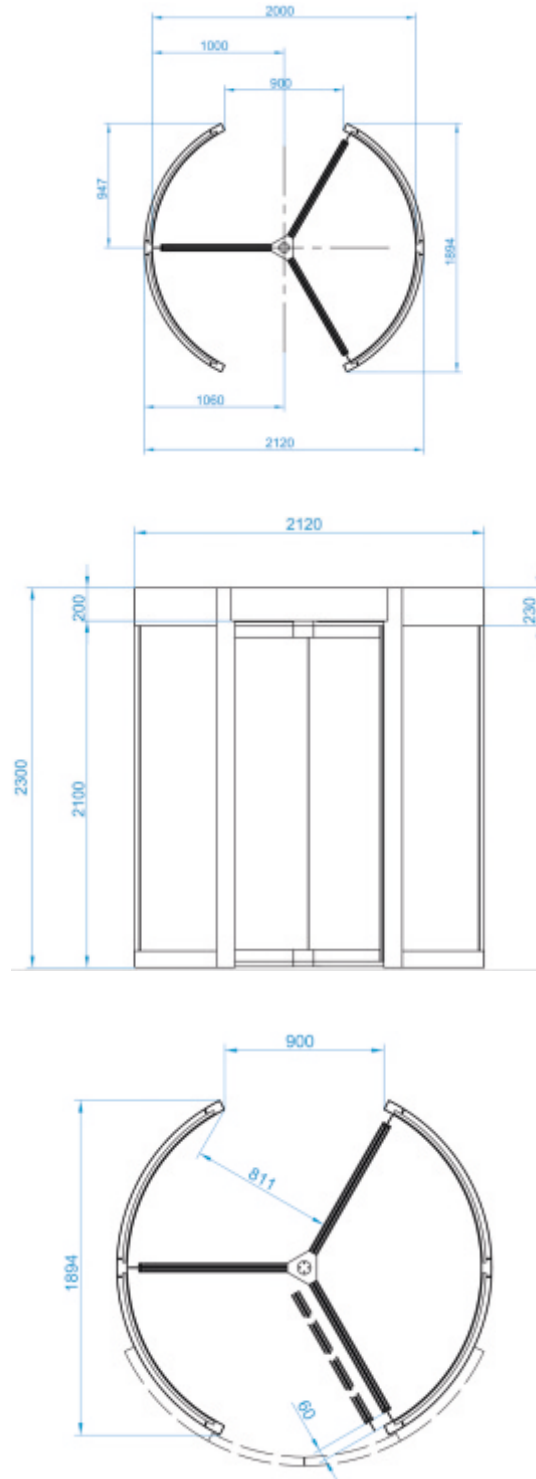
Product is delivered in a kit form and requires lifting equipment. Approx. Weight 920 kg (for installation details, please refer to installation layout drawings)



Concrete Base to specification at least (cube) 30N/mm² of resistance. Base to be flat and level to +/-5mm over footprint area. Dimensions to be > 2250 x 2250 x 150 deep min. (units in mm).

SITE PREPARATION: GyroSec 2000 3 wings

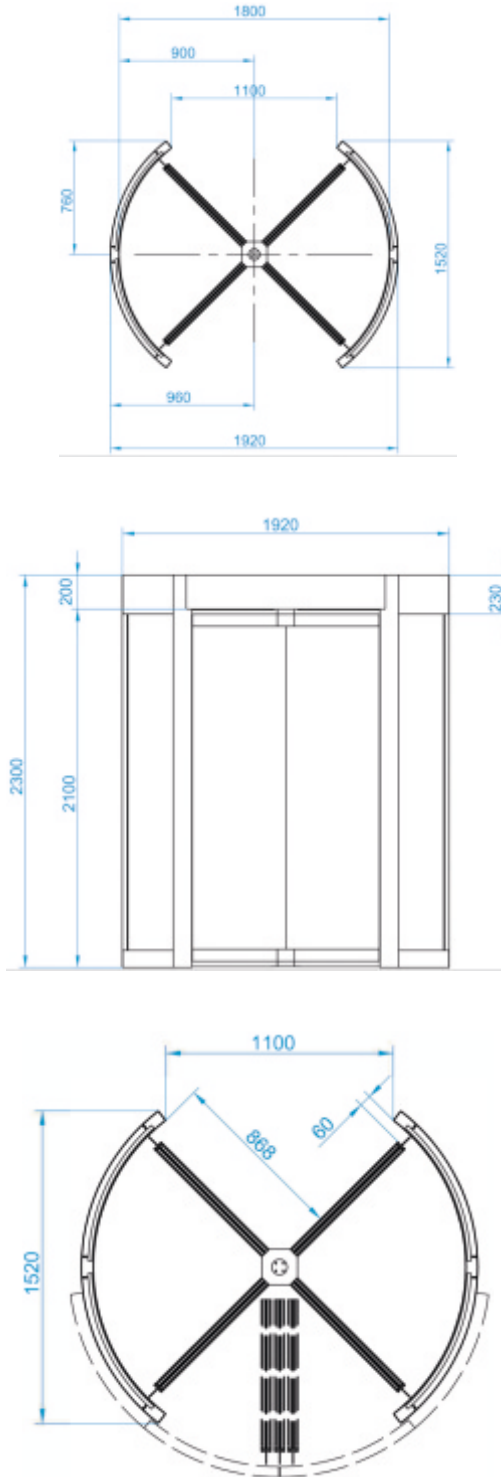
Product is delivered in a kit form and requires lifting equipment. Approx. Weight 920 kg (for installation details, please refer to installation layout drawings)



Concrete Base to specification at least (cube) 30N/mm² of resistance. Base to be flat and level to +/-5mm over footprint area. Dimensions to be >2250 x 2250 x 150 deep min. (units in mm).

SITE PREPARATION: GyroSec 1800 4 wings

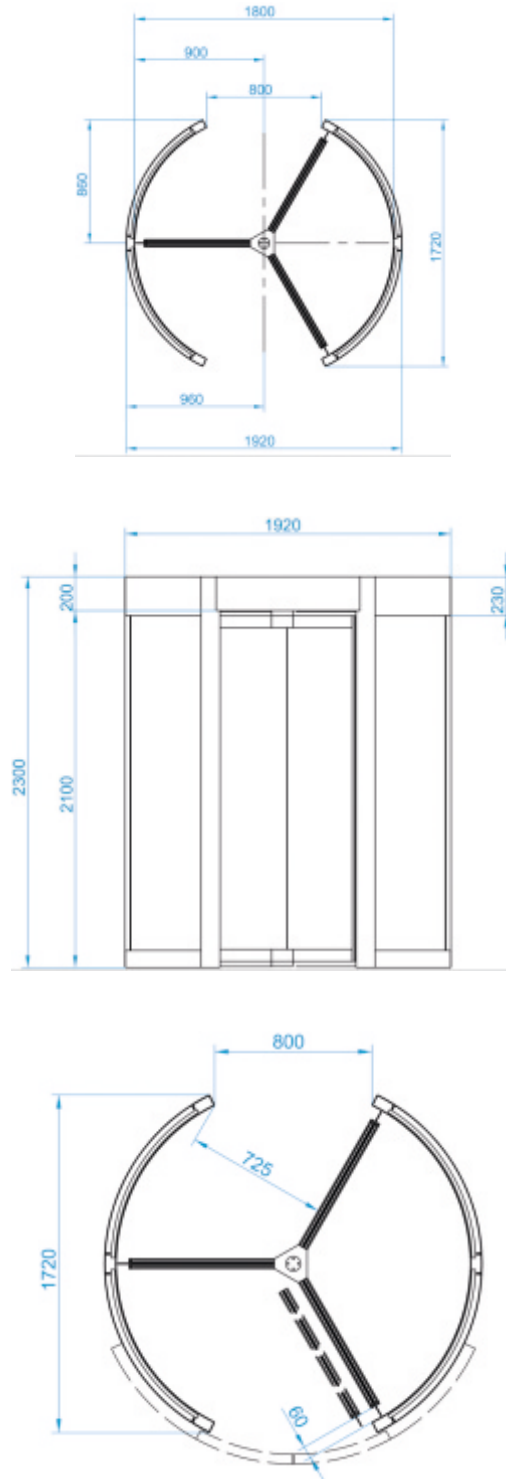
Product is delivered in a kit form and requires lifting equipment. Approx. Weight 780 kg (for installation details, please refer to installation layout drawings)



Concrete Base to specification at least (cube) 30N/mm² of resistance. Base to be flat and level to +/-5mm over footprint area. Dimensions to be > 2050 x 2050 x 150 deep min. (units in mm).

SITE PREPARATION: GyroSec 1800 3 wings

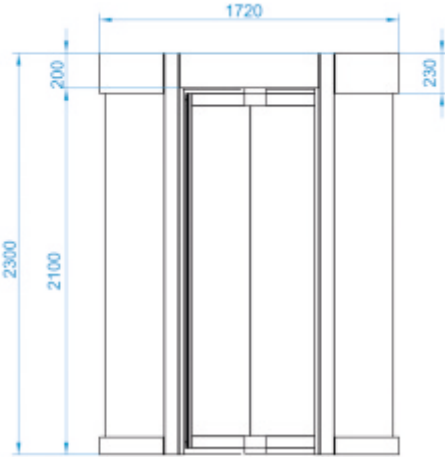
Product is delivered in a kit form and requires lifting equipment. Approx. Weight 780 kg (for installation details, please refer to installation layout drawings)



Concrete Base to specification at least (cube) 30N/mm² of resistance. Base to be flat and level to +/-5mm over footprint area. Dimensions to be > 2050 x 2050 x 150 deep min. (units in mm).

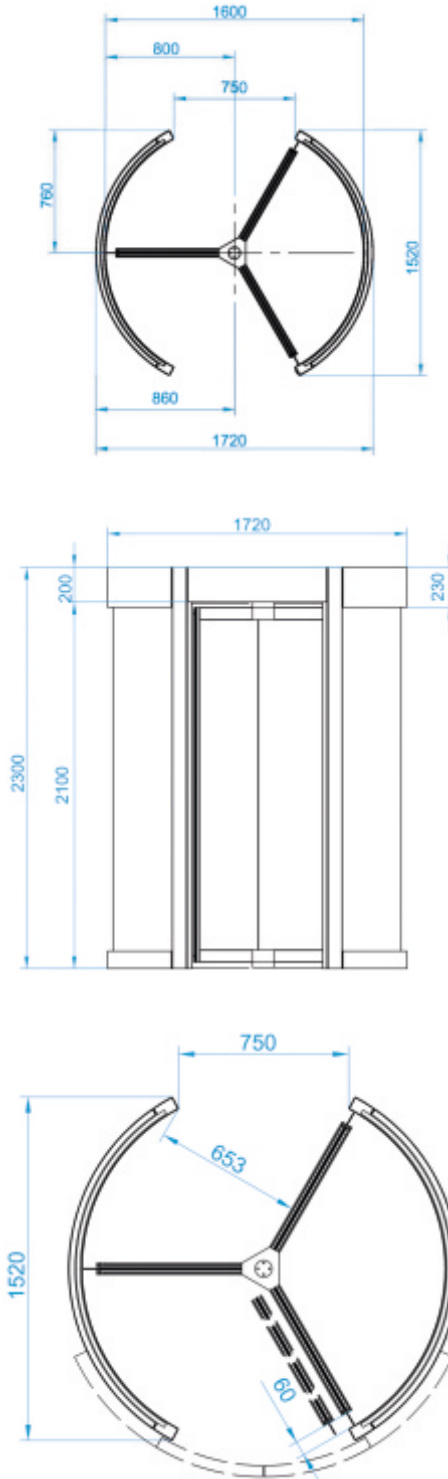
SITE PREPARATION: GyroSec 1600 4 wings

Product is delivered in a kit form and requires lifting equipment. Approx. Weight 710 kg (for installation details, please refer to installation layout drawings)



SITE PREPARATION: GyroSec 1600 3 wings

Product is delivered in a kit form and requires lifting equipment. Approx. Weight 710 kg (for installation details, please refer to installation layout drawings)



Concrete Base to specification at least (cube) 30N/mm² of resistance. Base to be flat and level to +/-5mm over footprint area. Dimensions to be > 1850 x 1850 x 150 deep min. (units in mm).

Important

- Any horizontal pipe or conduit running below the GyroSec must be at least 140mm below FFL.
- Metal conduit for cables should be raised at least 50mm from foundation.
- It is the customer's responsibility to ensure the structural integrity and strength of the installation location.
- The dimensions given in this Product Data Sheet are for information only. In order to prepare the installation site, please refer to your usual Gunnebo Customer Service contact.

Conditions of Use

When using Gunnebo's security access control gates, for security reasons, children must be supervised by an adult at all times.

Gunnebo GyroSec

Design and production: Gunnebo. Photos Credits: Gunnebo. The data given in this material may be subject to change without further notice. The Gunnebo logos and "Gunnebo - For a safer world" are registered trademarks of Gunnebo AB.



Take advantage of our knowledge:
www.gunneboentrancecontrol.com

GUNNEBO[®]
Entrance Control