



Gunnebo GlasStile S

Motorised Entrance Gate for Internal Installation

Entrance Gates are designed to combine smooth function and sophisticated appearance with security needs in settings where design is important. The Entrance Gates are completely silent and provide easy passage and high throughput. Designed to reduce the barrier effect and create a welcome atmosphere, visitors can immediately see how and where they should enter.

GlasStile S consists of a grained or polished stainless steel column with one glass leaf.

A wide selection of glass dimensions and styles is available to create a two-leaf passage or match with the design of the SpeedStile product range.

On receiving the signal from the access control system or push button, the unit will unlock and drive through 90° away from the signal direction. Should the leaf meet any resistance, it will stop and nudge forward. If obstruction continues the unit will alarm and free wheel; an auto-reset will re-establish control.

Technical Specifications

Drive

Motorised, pass left or pass right. Logic Voltage 24Vac

Materials

Rotor column: 220mm diameter 304 grade grained stainless steel

Rotor wing: 10mm-thick clear toughened frameless glass leaf

Power Failure / Fire Alarm

In the event of an emergency or isolation of power supply, the unit will fail-safe i.e. rotor will freely turn in both directions. Input facility available for voltage free contact supplied by others to effect fire alarm fail-safe state.

Additional Interface

Potential-free contact provided by either a card reader or push button input. Card reader inhibit and reset output signals are available as standard.

Technical Data

Dimensions	See details on next page
Power Supply	230Vac 50 Hz or 115Vac 60 Hz
Power Rating	250VA
Operating Temperature	+5 to +40 °C (RH 95% not condensing)
IP rating / MCBF / MTTR	IP 20 / 1M cycles / less than 30 min
Flow Rates (approximate figures):	Insertion Type Reader: 10 passages per minute Swipe Type Reader: 15 passages per minute Proximity Reader: "Hands Free": 20 passages per minute

Models

950mm High Plain Column

Options

Alternative finishes

Glass leaf height and width selection

Card reader integration

Push button control

Remote console

Hand-held programmer

Push bar

Remote control system

Benefits

- Smooth function and sophisticated appearance
- Silent operation providing easy passage and high throughput
- Designed to reduce the barrier effect

Applications

Government

Retail

Finance

Telecommunications

IT

Banking

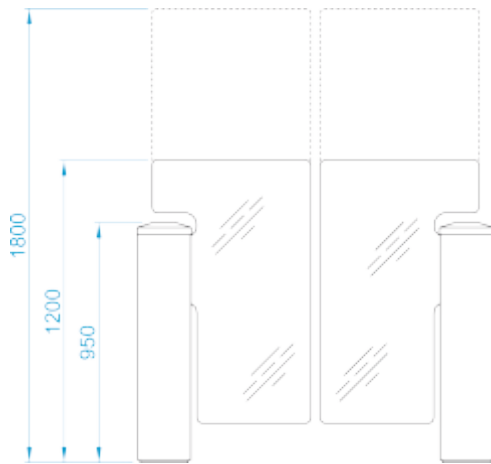
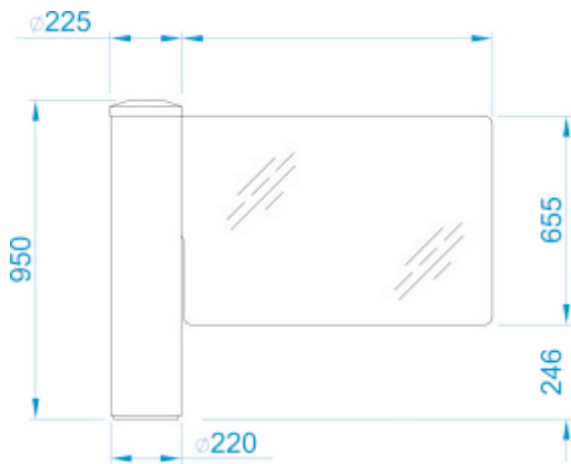
Publishing

Leisure

Petrochemical

Education...

Models and Configurations: GlasStile S



Important: Any horizontal pipe or conduit running below the GlasStile must be at least 140mm below FFL. Metal conduit for cables should be raised at least 50mm from foundation. It is the customer's responsibility to ensure the structural integrity and strength of the installation location. The dimensions given in this Product Data Sheet are for information only. In order to prepare the installation site, please refer to your usual Gunnebo Customer Service contact.

Conditions of use: When using Gunnebo's security access control gates, for security and safety reasons, children must be supervised by an adult at all times.

Gunnebo GlasStile S

Design and production: Gunnebo. Photos Credits: Gunnebo. The data given in this material may be subject to change without further notice. The Gunnebo logos and "Gunnebo - For a safer world" are registered trademarks of Gunnebo AB.



Take advantage of our knowledge:
www.gunneboentrancecontrol.com

GUNNEBO[®]
Entrance Control